

8080 1/8 DIN Dual Colour Indicator



- Large Five Digit Display
- Colour Change On Alarm
- Min/Max Value Hold
- 2 Process Alarms
- Security Lock
- Process Transmitter PSU
- PV retransmit option
- RS485 comms option



The West 8080 offers high accuracy temperature or process inputs. The custom-designed display is larger than other instruments of this size, and can be set to change colour to indicate alarm status.

Specification

Features

Output Configuration	Up to 3 total., max 2 for Alarms, max 1 for retransmission of PV
Alarm Types	Process high, process low, direct acting, process high, process low reverse and logical OR
Viewable Values	Process variable, alarm values, maximum value, minimum value and elapsed time since reset
Human Interface	4 button operation, 5 digit 18mm high colour change display, plus set-up and alarm indicators

Temperature Version

Input	J, K, R, S, T, B, & N Thermocouple, 3 or 4 Wire PT100, 50 Ω per lead maximum (balanced)
Impedance	>100M Ω for Thermocouple
Accuracy	+/- 0.1% of input span +/- 1 LSD (T/C CJC better than 0.5°C)
Sampling	4 per second, 14 bit resolution
Sensor Break Detection	<2 secs, all alarms activate

DC Process Version

Input	0-20/4-20/10-50mA, 0-5/1-5/0-10/2-10V, +/-100mV, +/-1V, +/-10V
Scaling	-19999 to 99999, dec point as required. Up to 10 scaling points for non-linear applications
Impedance	>100K Ω for mV range, >950K Ω for V ranges, 10 Ω for 20mA ranges and 1 Ω for 50mA range
Accuracy	+/- 0.01% of input span typical (+/- 0.05% max) +/- 1 LSD
Sampling	10 per second, 14 bit resolution
Sensor Break Detection	<2 secs (except zero based ranges), all alarms activate
Totalising of PV by Interval	Seconds, minutes or hours
Transmitter Power Supply	20-28V DC (24V nominal), max load 910 Ω (22mA at 20V). Fitted as standard

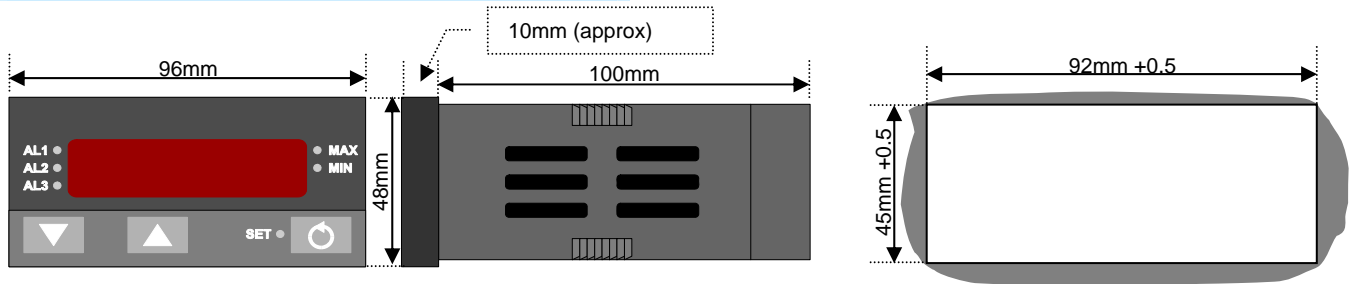
Outputs & Options

Alarm 1	Open collector NPN transistor (30VDC 100 mA max) and relay (Contacts SPDT 3Amp resistive at 240VAC/5Amp at 110V), latching or non-latching. Fitted as standard.
Alarm 2	Open collector NPN transistor (30VDC 100mA max) fitted as standard. Optional relay (Contacts SPDT 2Amp resistive at 240VAC/5Amp at 110V), non-latching
Retransmit Output	0-20/4-20mA into 500 Ω max, 0-10/0-5V into 500 Ω min. Accuracy typically +/- 0.25% 250mS update
Digital Input	External security lock (also Tare function on Process Version). Volt free or TTL compatible
Communications	2 wire RS485, 1200 to 9600 baud. ASCII protocol

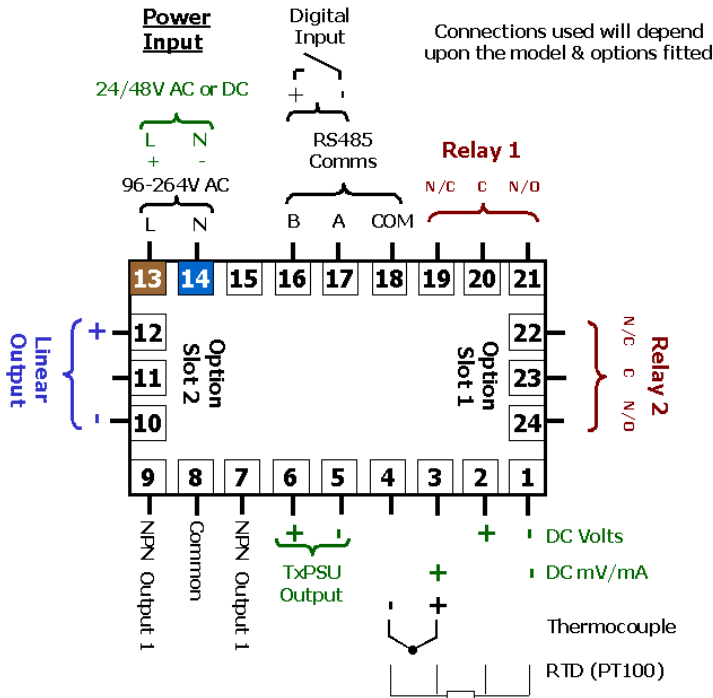
Operating and Environmental

Temperature & RH	0 to 55°C (-20 to 80°C storage), 20% to 95%RH non-condensing
Power Supply	100 to 240V 50/60Hz 7.5VA (optional 20 to 50V AC 7.5VA/22 to 55V DC 5W)
Front Panel Protection	IEC IP66 (Behind panel protection is IP20)
Approvals and Certification	CE, UL & UIC

Dimensions



Connection Details



Field Reconfiguration

Input

Temperature Version – Configurable for probe type and range
Process Version – Configurable for signal type and range

Relay 1

Type is fixed as Alarm 1

Option Slot 1

Configurable as Alarm 2 via plug-in relay module

Option Slot 2

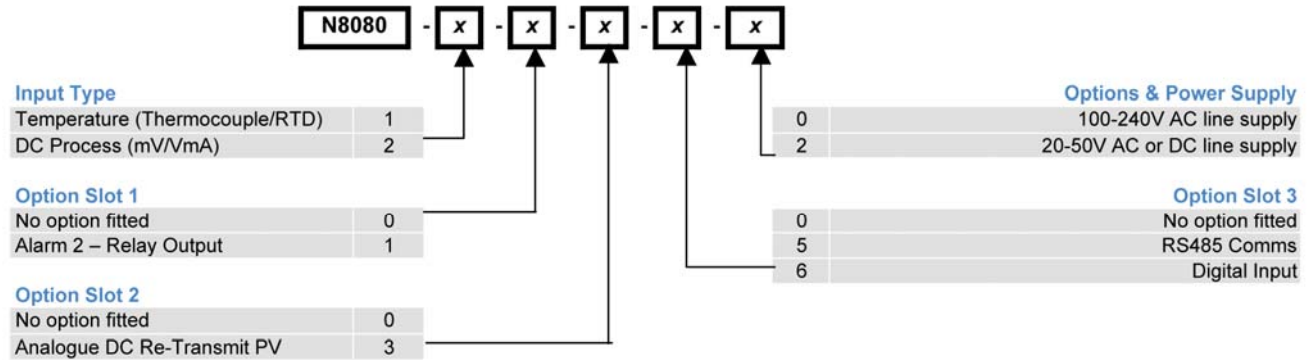
Configurable as Analogue DC Re-Transmit of PV using plug-in module

Option Slot 3

Temperature Version – Configurable for RS485 comms or Security Lock, via plug-in modules

Process Version – Configurable for RS485 comms or Tare/Security Lock, via plug-in modules

Ordering Code



West Control Solutions – International Sales and Support

CHINA

Danaher Setra-ICG (Tianjin Co., Ltd.
No.28 Wei 5 Road,
The Micro-Electronic Industry Park TEDA,
Xiqing District, Tianjin 300385
Tel: +86 22 8398 8098 Fax: +86 22 8398 8099
Sales Hotline: 400 666 1802
e-mail: tc.sales@danaher.com

GERMANY

PMA Prozeß- und, Maschinen- Automation GmbH,
Miramstraße 8, 7D -34123 Kassel
Tel: +49 (561) 505-1307 Fax: +49 (561) 505-1710
e-mail: mailbox@pma-online.de

USA

West Control Solutions
1675 Delany Road, Gurnee, IL 60031-1282
Tel: 800 866 6659 Fax: 847 782 5223
e-mail: custserv.west@dancon.com

FRANCE

Hengstler SA, 69 Rue de la Belle Etoile
Bat D - ZI Paris Nord II, 95700, Roissy
Tel: +33 (1) 77 80 90 40 Fax:+33 (1) 77 80 90 50
e-mail: info@westinstruments.com

UNITED KINGDOM

West Control Solutions
The Hyde Business Park, Brighton, East Sussex, BN2 4JU
Tel: +44 (0)1273 606271 Fax: +44 (0)1273 609990
e-mail: info@westinstruments.com

Brochures and datasheets are available for the complete range of West Control Solutions products, contact your local sales office or visit our website at: www.west-cs.com for more information.