



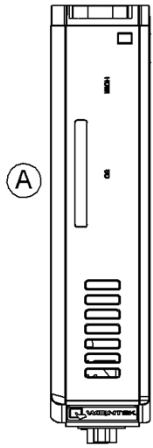
Headless HMI with IIoT Features



- Enhanced Graphics, Animation, and Security
- Email Alarm Notification
- Recipe, Data Logging, Pie Charts
- Trend Graphics, Circular Trends
- Wi-Fi Functionality
- EasyAccess 2.0 Included

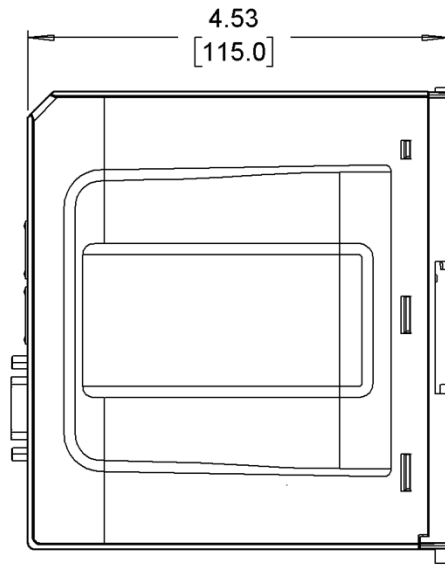
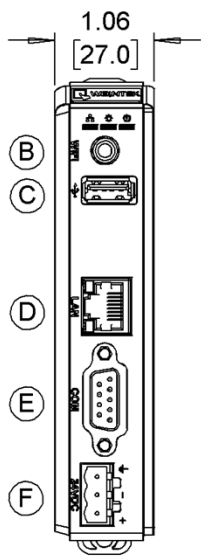


System	CPU	32-bit RISC Cortex-A8, 600 MHz
	Memory (RAM)	256 MB
	Memory (Flash)	256 MB
	RTC	Built-in
I/O Ports	Serial	1 x DE9P COM1: RS-232, COM2: RS-485 2 or 4 wire, COM3: RS-485 2 wire
	LAN	1 x GbE RJ-45
	CANbus	N/A
	USB Host	1 x USB 2.0
	USB Client	N/A
	Audio	N/A
	Video	N/A
	Wi-Fi	1 x IEEE 802.11 b/g/n
	HDMI®	N/A
	SD Card Slot	1x Secure Digital Memory Card (SD/SDHC) socket, 32GB capacity
Electrical	Input Voltage	10.5 ~ 28 VDC
	Input Current	1000 mA @ 12 VDC; 450 mA @ 24 VDC
	Input Power	10.8 W
	Power Isolation	Built-in
	Isolation Resistance	Exceed 50 MΩ at 500 VDC
Mechanical	Enclosure	Plastic, charcoal grey
	PCB Coating	Yes
	Dimensions (W x H x D)	5.12 x 4.53 x 1.06 inches [130 x 115 x 27 mm]
	Net Weight	Approx. 0.40 lbs. [0.18 kg]
	Mounting	35 mm DIN rail
Environmental	Operating Temperature	14° ~ 131°F (-10° ~ 55°C)
	Storage Temperature	-4° ~ 158°F (-20° ~ 70°C)
	Relative Humidity	10% ~ 90% (non-condensing)
	Vibration Endurance	10 to 25 Hz (X, Y, Z direction, 2G, 30 minutes)
	Rating	IP20
Software	Certifications	cULus, CE, RoHS
	Software	EBPro (v6.02.02 or later), EasyAccess 2.0 pre-installed and activated, IIoT Ready, MQTT, Sparkplug, cMT Viewer
Notes	Specifications subject to change without notice	

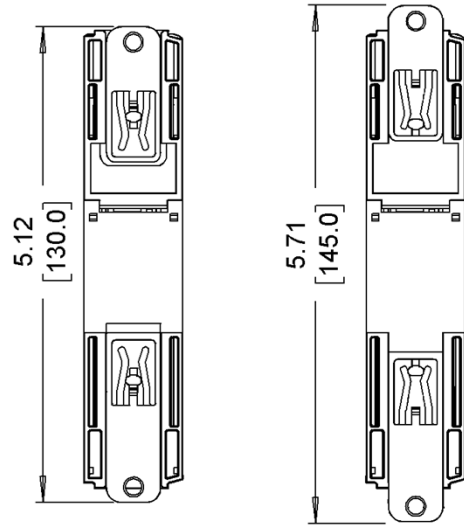


Top View

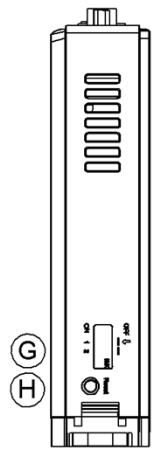
Dimensions are in inches [mm]



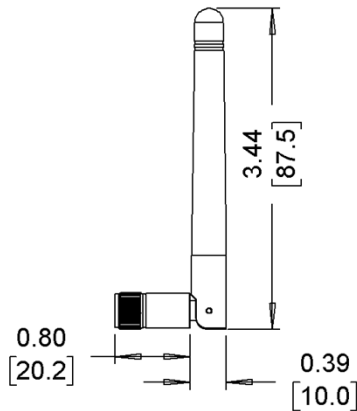
Side View



Rear View



Bottom View



Antenna

- A SD/SDHC Card Slot
- B Wi-Fi Antenna Connector
- C USB 2.0 Host Port
- D Gigabit Ethernet Port
- E COM Port DE9P
- F Power Connector
- G DIP Switches
- H Reset Button