

# Solid State Relays

MDI brand with Integrated Heat Sink



## 1 Pole Solid State Relays

Switching to 600VAC

Control: A Models 24-275VAC/24-48VDC, D Models 4-32VDC

20 Amp	SS20AU	SS20DU
30 Amp	SS30AU	SS30DU
50 Amp	SS50AU	SS50DU
70 Amp	SS70AU	SS70DU



## 2 Pole Solid State Relays

Switching to 600VAC

Control: 20-275VAC/24-190VDC

25 Amp	2PSS60A25*
40 Amp	2PSS60A40*

\* includes pass-through terminals for the third leg



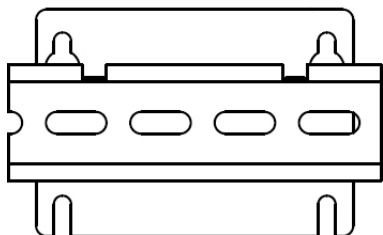
## 3 Pole Solid State Relays

Switching to 600VAC

Control: 30A 20-275VAC/24-190VDC, 75A 24-275VAC/24-50VDC

30 Amp	No Fan	3PSS60A30
75 Amp	Fan 24VDC	3PSS60A75-S*
75 Amp	Fan 120VAC	3PSS60A75-S-120*

\* Change -S to -R to include retrofit bracket, add \$10



### Retrofit Bracket

Same Holes as Mercury Contactors

PM1544  
Dimensions on page 2

### 24VDC Power Supply

1.3A for 24VDC Fans

6EP1331-1SH03



Datasheets available at <http://primecontrolsco.com/control/ssr.html>  
Most items stock at Prime Controls Co.



## PRIME CONTROLS COMPANY

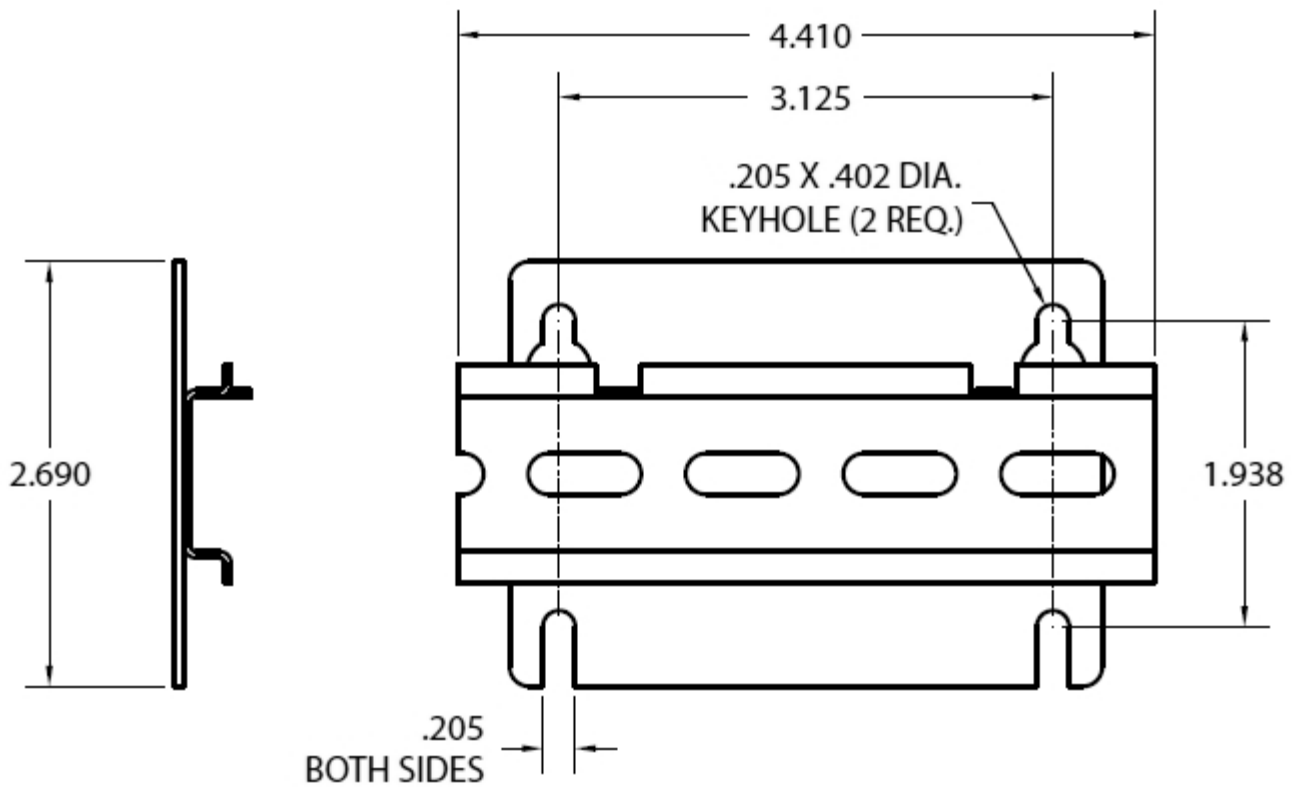
216 Avenida Fabricante Ste 210, San Clemente CA 92672  
949-498-8700 FAX 949-498-8787

## MDI PM1544 Retrofit Bracket

For direct replacement of mercury displacement relay with rail-mount solid state relay.

Uses same mounting holes.

Bracket adds 3/16" to depth.



**PRIME CONTROLS COMPANY**

216 Avenida Fabricante Ste 210, San Clemente CA 92672  
949-498-8700

FAX 949-498-8787