

# 3PSS60A30

## Solid State Relays

### 3-Phase with Integrated Heatsink



- 3-pole AC switching solid state contactors
- Product width 2.84" (72 mm)
- Rated operational voltage: 600 VAC
- Rated operational current: up to 30 AAC
- Control voltages: 20-275 VAC (24-190 VDC)
- 6,600 A<sup>2</sup>s for I<sup>2</sup>t
- Motor ratings up to 11 kW / 15 HP @ 600 VAC
- Integrated varistor protection on output
- UL, cUL Listing
- 100 kA Short Circuit Current Rating according to UL 508
- DIN or panel mount
- RoHS compliant

## Product Description

This product is intended to replace mechanical contactors especially when switching is frequent.

Switch ON occurs at the voltage zero cross and switch OFF occurs at the current zero cross. Apart from resistive and slightly inductive loads, the 3PSS60A30 is certified for motor switching with associated motor ratings. Varistors are integrated for output overvoltage protection. A green LED gives indication of control voltage presence.

Specifications are at a surrounding temperature of 25°C unless otherwise specified.

## General Specifications

		<b>3PSS60A30</b>
Latching voltage (across each pole L-T)		<20V
Operational frequency range		45 to 65Hz
Power factor		>0.5 at rated voltage
CE marking		Yes
Touch protection		IP20
LED status indication		
	Control ON	Green, full intensity
Pollution degree		2 (non-conductive pollution with possibilities of condensation)
Over-voltage category		III (fixed installations)
Isolation		
	Input & Output to Case	4000 Vrms
	Input to Output	4000 Vrms

## Output Voltage Specifications

		<b>3PSS60A30</b>
Operational voltage range, U <sub>e</sub>		42-600 VAC -15% / +10% on max
Blocking voltage		1200 V <sub>p</sub>
Internal varistors (across each pole)		625 V



## Output Specifications: 3PSS

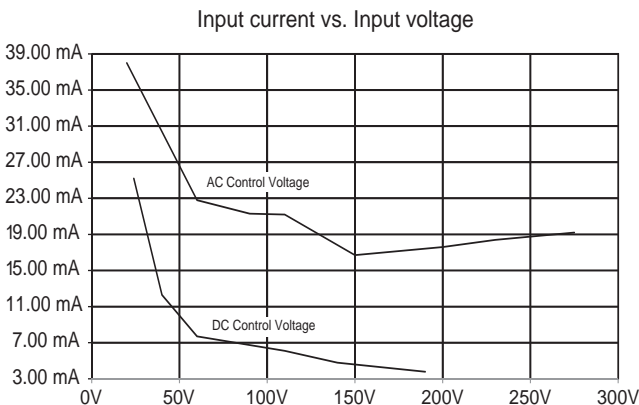
	3PSS60A30
Rated operational current per pole <sup>7</sup> AC-51 @ Ta=25°C AC-51 @ Ta=40°C AC-53a @ Ta=40°C	37 AAC 30 AAC 14 AAC
No. of motor starts <sup>8</sup> (x: 6, Tx: 6s, F: 50%) @ 40°C	30
Minimum operational current	400 mA
Rep. overload current (Motor rating) UL 508: Ta=40°C, t <sub>ON</sub> =1s, t <sub>OFF</sub> =9s, 50 cycles	107 AAC
Maximum transient surge current (I <sub>TSM</sub> ), t=10ms	1150 Ap
I <sup>2</sup> t for fusing (t=10ms) Minimum	6600 A <sup>2</sup> s
Critical dv/dt (@ T <sub>j</sub> init = 40°C)	1000 V/us
7: Refer to Derating Curves	
8: Overload cycle definition, x: multiple of AC-53a, Tx: duration of current surge, F: duty cycle	

## Motor Ratings: HP (UL 508) / kW (EN/IEC 60947-4-2) @ 40°C

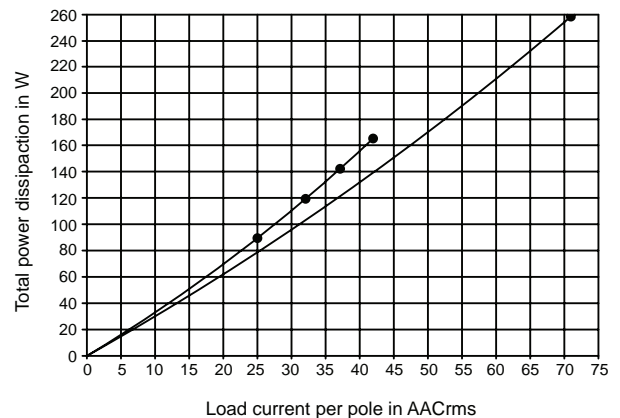
	115 VAC	230 VAC	400 VAC	480 VAC	600 VAC
3PSS60A30	2 HP / 1.5 kW	5 HP / 3.0 kW	10 HP / 5.5 kW	10 HP / 7.5 kW	15 HP / 11.0 kW

## Control Specifications (A1, A2)

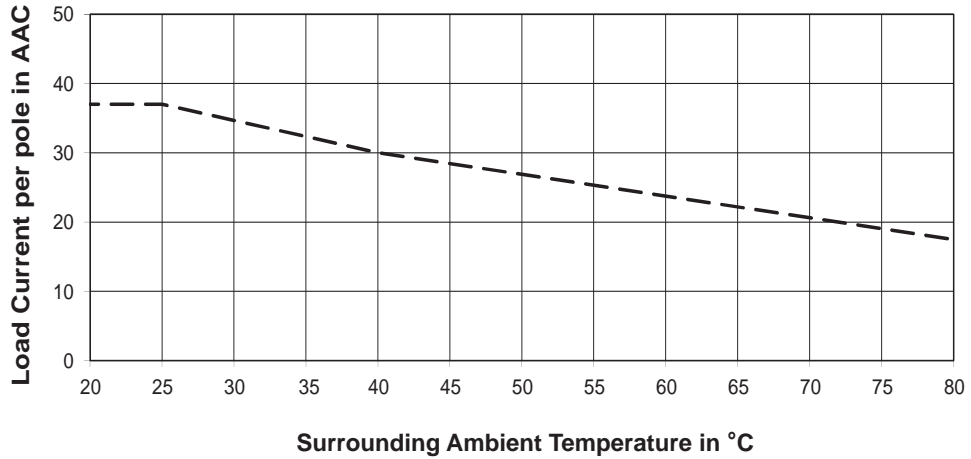
	3PSS60A30
Control voltage range, U <sub>c</sub>	20-275 VAC, 24 (-10%) -190 VDC
Pick-up voltage	20 VAC/DC
Drop-out voltage	5 VAC/DC
Maximum reverse voltage	-
Maximum response time	2 cycles @ 230 VAC / 110 VDC
Input current @ 40°C	See diagrams below



## Output Power Dissipation



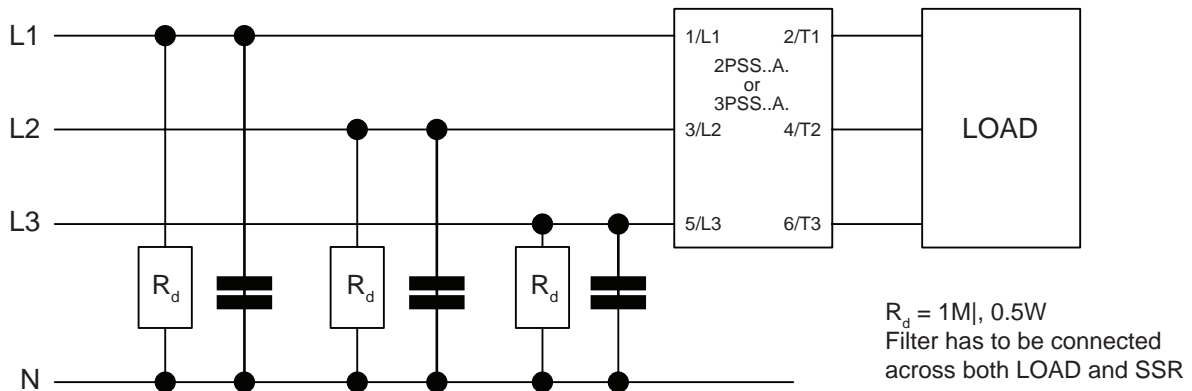
## Current Derating



## Filtering - EN/IEC 55011 Class A Compliance

Part Number	Suggested filter for compliance	Maximum heater current
3PSS60A30	470 nF / 760V / X1	30 AAC

## Filter Connection Diagrams





## Agency Approvals and Conformance

Conformance

EN/IEC 60947-4-2  
EN/IEC 60947-4-3

Agency Approvals

UL listed (E172877), UL508  
cUL Listed (E172877),  
C22.2 No.14-10



Short Circuit Current rating

100kArms, UL508

## Electromagnetic Compatibility

<b>EMC immunity</b>	EN/IEC 60947-4-2	<b>Radiated radio frequency immunity</b>	EN/IEC 61000-4-3
<b>Electrostatic discharge (ESD) immunity</b>	EN/IEC 61000-4-2	10 V/m, 80 - 1000 MHz	Performance Criteria 1
Air discharge, 8 kV	Performance Criteria 2	10 V/m, 1.4 - 2.0 GHz	Performance Criteria 1
Contact, 4 kV	Performance Criteria 2	10 V/m, 2.0 - 2.7 GHz	Performance Criteria 1
<b>Electrical fast transient (Burst) immunity</b>	EN/IEC 61000-4-4	<b>Conducted radio frequency immunity</b>	EN/IEC 61000-4-6
Output: 2 kV, 5 kHz	Performance Criteria 1	10 V/m, 0.15 - 80 MHz	Performance Criteria 1
Input: 1 kV, 5 kHz	Performance Criteria 1	<b>Voltage dips immunity</b>	EN/IEC 61000-4-11
Signal: 1 kV, 5 kHz .PSS...-..M	Performance Criteria 1	0% for 0.5 / 1cycle	Performance Criteria 2
<b>Electrical surge immunity</b>	EN/IEC 61000-4-5	40% for 10 cycles	Performance Criteria 2
Output, line to line, 1 kV	Performance Criteria 1	70% for 250 cycles	Performance Criteria 2
Output, line to earth, 2 kV	Performance Criteria 1	<b>Voltage interruptions immunity</b>	EN/IEC 61000-4-11
Input, line to earth, 1 kV (A1, A2)	Performance Criteria 2	0% for 5000 ms	Performance Criteria 2
<b>EMC emission</b>	EN/IEC 61000-6-4	<b>Radio interference field emission (radiated)</b>	EN/IEC 55011
<b>Radio interference voltage emission (conducted)</b>	EN/IEC 55011	30-1000 MHz	Class A (Industrial)
0.15-30 MHz	Class A (Industrial) with filters - see filter information		

Note:

- Control input lines must be installed together to maintain products susceptibility to Radio Frequency Interference.
- Use of AC solid state relays may according to the application and the load current, cause conducted radio interferences. Use of mains filters may be necessary for cases where the user must meet E.M.C requirements. The capacitor values given inside the filtering specification tables should be taken only as indications, the filter attenuation will depend on the final application.
- This product has been designed for Class A equipment. Use of this product in domestic environments may cause radio interference, in which case the user may be required to employ additional mitigation methods.
- Surge tests on 3PSS60A30 models were carried out with the signal line impedance network. In case the line impedance is less than 40Ω, it is suggested that AC supply is provided through a secondary circuit where the short circuit limit between conductors and ground is 1500VA or less.

- Performance Criteria 1 (Performance Criteria A): No degradation of performance or loss of function is allowed when the product is operated as intended.
- Performance Criteria 2 (Performance Criteria B): During the test, degradation of performance or partial loss of function is allowed. However, when the test is complete the product should return operating as intended by itself.
- Performance Criteria 3 (Performance Criteria C): Temporary loss of function is allowed, provided the function can be restored by manual operation of the control.

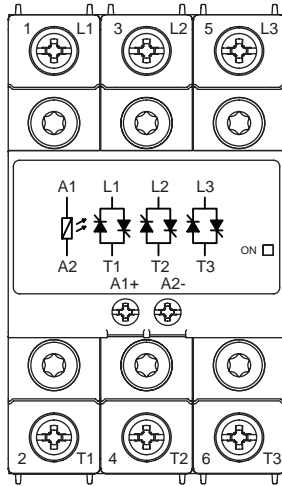
## Environmental Specifications

<b>Operating temperature</b>	-40°C to +80°C (-40°F to +176°F)	<b>Vibration resistance</b>	
<b>Storage temperature</b>	-40°C to +100°C (-40°F to +212°F)	(2-100Hz, IEC60068-2-26, EN50155, EN61373)	2g per axis
<b>Impact resistance</b> (EN50155, EN61373)	15/11 g/ms	<b>Relative humidity</b>	95% non condensing @ 40°C

## Environmental Specifications (continued)

UL flammability rating (for plastic)	UL 94 V0	Installation altitude	0 - 1000m. Above 1000m derate linearly by 1% of FLC per 100m up to maximum of 2000m
Weight	Approx. 850g		

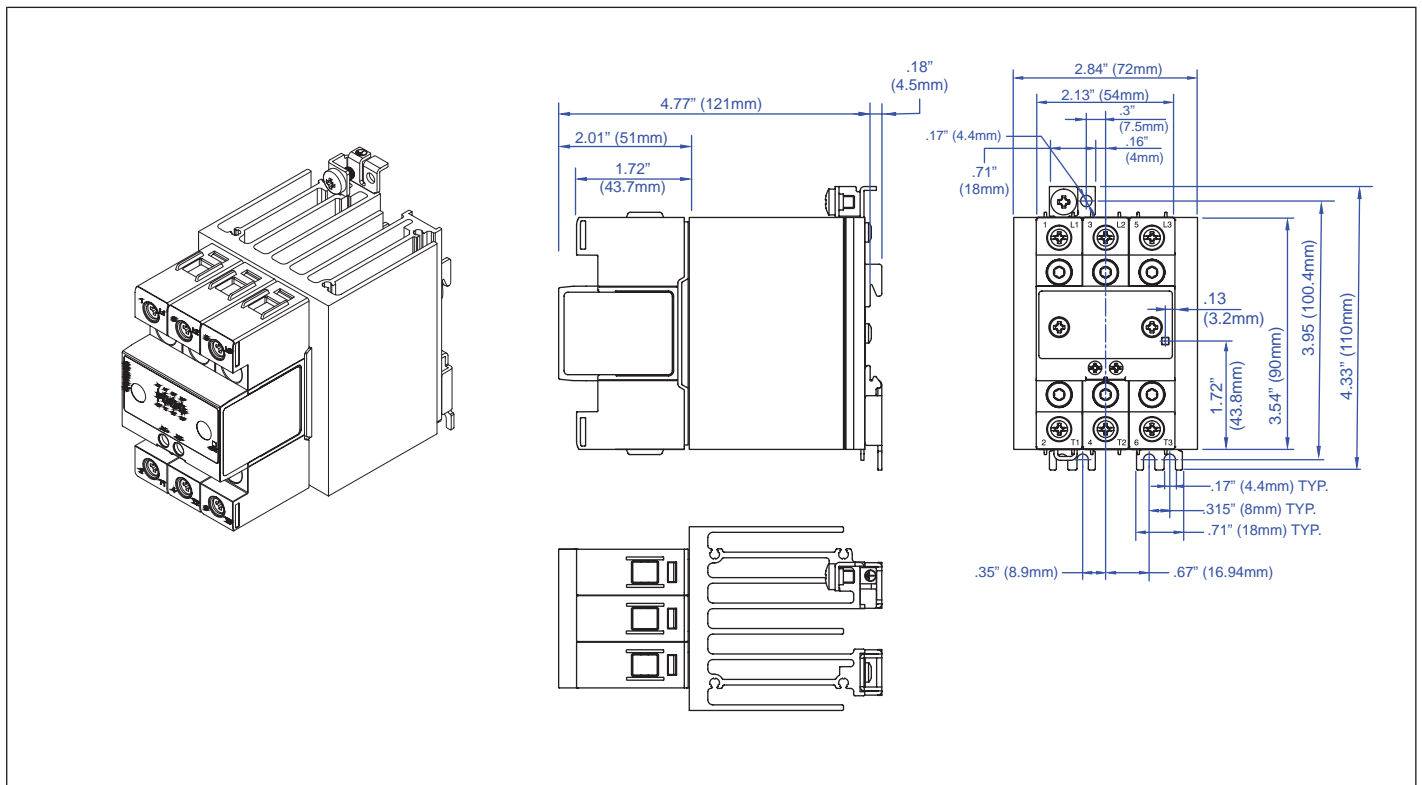
## Terminal Layout



### Terminals labelling:

- 1/L1, 2/L2, 3/L3: Line connections
- 2/T1, 4/T2, 6/T3: Load connections
- A1(+): Positive control signal
- A2(-): Control ground

## Dimensions



# MDI

## Connection Specifications

### Power Connections

**1/L1, 3/L2, 5/L3, 2/T1, 4/T2, 6/T3**

Use 75°C copper (Cu) conductors



**3PSS60A30**

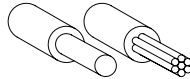
Stripping length (X)

.47" (11 mm)

Connection type

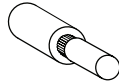
M5 screw with box clamp

Rigid (solid & stranded)  
UL/cUL rated data



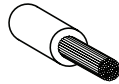
1x 2.5-25 mm<sup>2</sup>  
1x 14-3 AWG

Flexible  
With end sleeve



1x 2.5-16 mm<sup>2</sup>  
1x 14-6 AWG

Flexible  
With-out end sleeve



1x 4.0-25 mm<sup>2</sup>  
1x 12-3 AWG

Torque specification

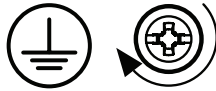


Pozidriv 2  
UL: 2.5 Nm (22 lb-in)  
IEC: 2.0-2.5 Nm (17.7-22 lb-in)

Aperture for termination lug

n/a

Protective Earth (PE)  
connection



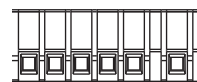
M5, 1.5Nm (13.3 lb-in)

Not provided with SSR. PE connection required when product is intended to be used in Class 1 applications according to EN/IEC 61140

### Control Connections

**A1, A2**

Use 75°C copper (Cu) conductors



**3PSS60A30**

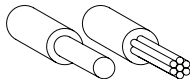
Stripping length (X)

.32" (8 mm)

Connection type

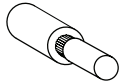
M5 screw with box clamp

Rigid (solid & stranded)  
UL/cUL rated data



1x 1.0-2.5 mm<sup>2</sup>  
1x 18-12 AWG

Flexible  
With end sleeve



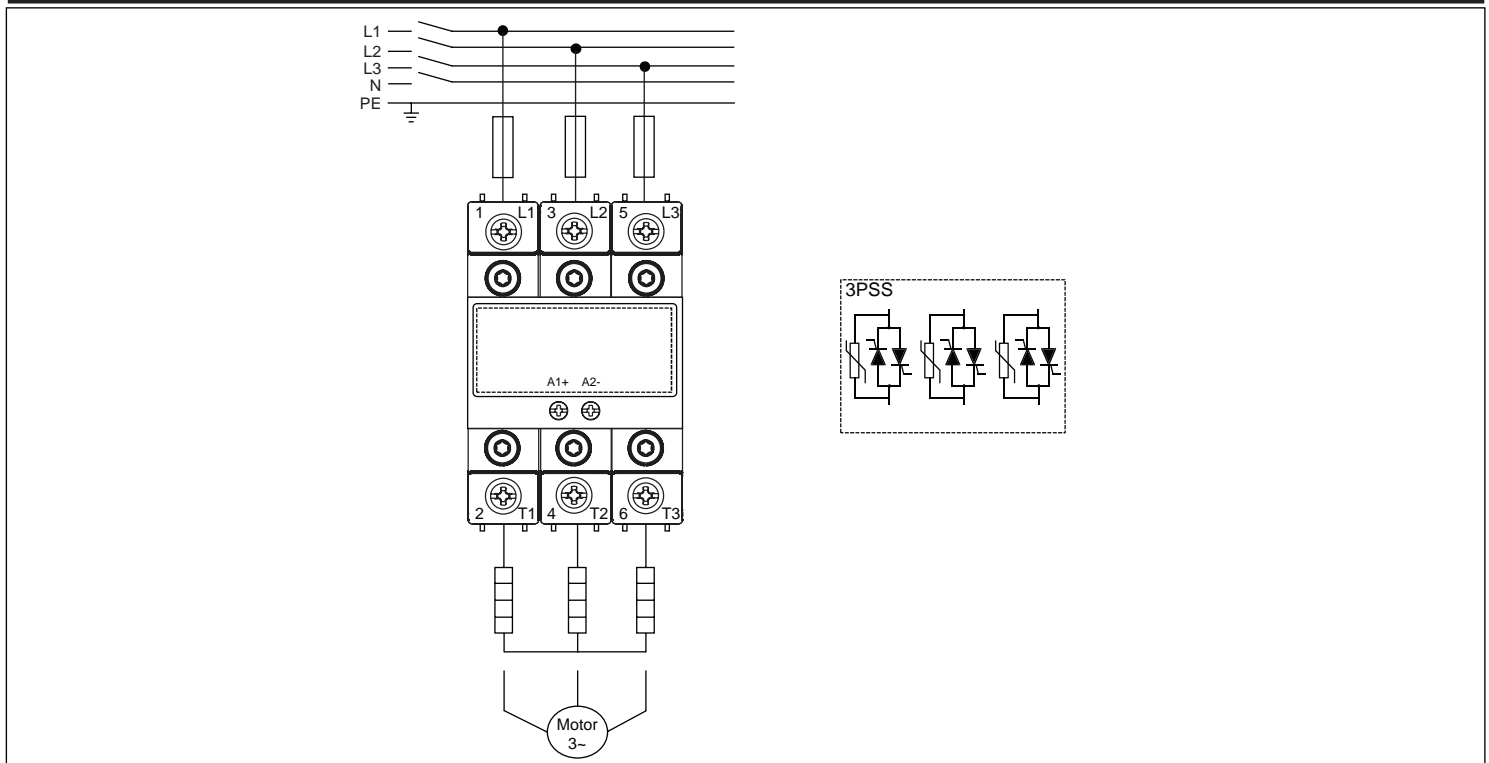
1x 0.5-16 mm<sup>2</sup>  
1x 14-6 AWG

Torque specification

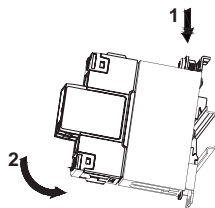


Pozidriv 1  
UL: 0.5 Nm (4.4 lb-in)  
IEC: 0.4-0.5 Nm (3.5-4.4 lb-in)

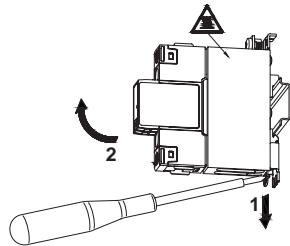
## Connection Diagram



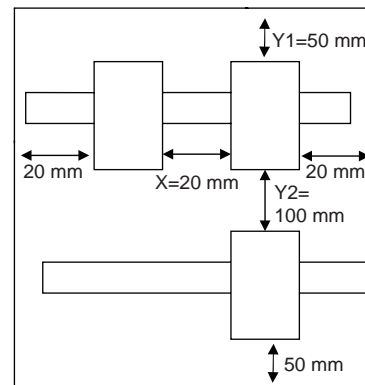
## Installation Instructions



Mounting on DIN rail



Dismounting from DIN rail



## Short Circuit Protection

### Protection Co-ordination, Type 1 vs Type 2:

Type one protection implies that after a short circuit, the device under test will no longer be in a functioning state. In type 2 co-ordination the device under test will still be functional after the short circuit. In both cases, however the short circuit has to be interrupted. The fuse between enclosure and supply shall not open. The door or cover of the enclosure shall not be blown open. There shall be no damage to conductors or terminals and the conductors shall not separate from terminals. There shall be no breakage or cracking of insulating bases to the extent that the integrity of the mounting of live parts is impaired. Discharge of parts or any risk of fire shall not occur.

The product variants listed in the table hereunder are suitable for use on a circuit capable of delivering not more than 100,000A ms Symmetrical Amperes. 600 Volts maximum when protected by fuses. Tests at 100,000A were performed with Class J fuses, fast acting; please refer to the tables below for maximum.

### Co-ordination type 1 (UL 508)

Part No.	Max. fuse size [A]	Class	Short circuit current [kArms]	Voltage [VAC]
3PSS60A30	30	J	100	Max. 600